



CR91035 [Radiator Cushion Foam Kit]

Instruction Guide

Radiator Baffles & Cushion

John Deere Tractor Models:

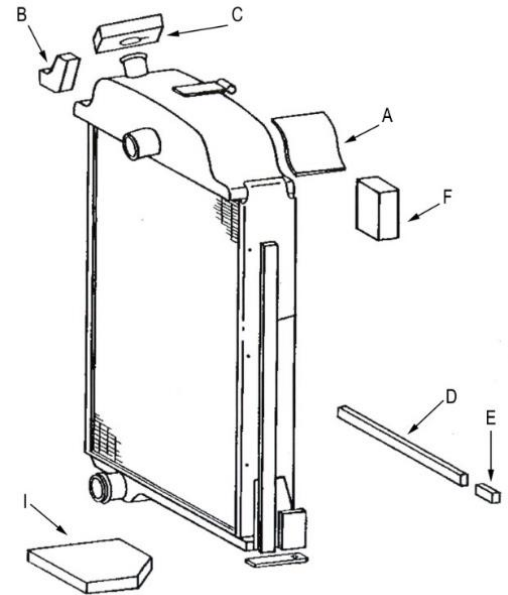
4030	4040	4050	4055	4560
4230	4240	4250	4255	4760
4430	4440	4450	4455	4960
4630	4640	4650	4555	
	4840	4850	4755	
			4955	

CR91035 [Radiator Cushion Foam Kit]

Instruction Guide

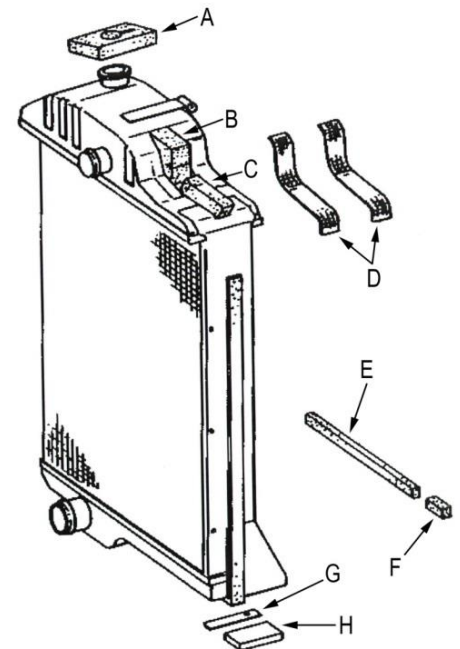
John Deere 4030, 4230 Tractors:

- A. Cushion, 3 x 102 x 140 mm (1/8 x 4 x 5-1/2"), two used, made from anti-squeak webbing
- B. Baffle, filter neck, 25 x 25 x 191 mm (1 x 1 x 7-1/2"), made from urethan foam strip
- C. Baffle, filter neck, 25 x 79 x 121 mm (1 x 3-1/8 x 4-3/4")
- D. Baffle, 25 x 51 x 432 mm (1 x 2 x 17")
- E. Baffle, 19 x 19 x 46 mm (3/4 x 3/4 x 1-13/16"), two used, made from urethan form strip
- F. Baffle, 38 x 64 x 89 mm (1-1/2 x 2-1/2 x 3-1/2")
- G. Cushion, rubber, two uses
- H. Baffle, 13 x 51 x 89 mm (1/2 x 2 x 3-1/2"), two used
- I. Baffle, 32 x 32 x 57 mm (1-1/4 x 1-1/4 x 2-1/2")



John Deere 4430 Tractors:

- A. Baffle, filler neck, 25 x 79 x 121 mm (1 x 3-1/8 x 4-3/4")
- B. Baffle, 38 x 73 x 76 mm (1-1/2 x 2-7/8 x 3")
- C. Baffle, 25 x 25 x 127 mm (1 x 1 x 5"), made from anti-squeak webbing
- D. Cushion, 3 x 38 x 267 mm (1/8 x 1-1/2 x 10-1/2"), two used, made from anti-squeak webbing
- E. Baffle, 13 x 19 x 356 mm (1/2 x 3/4 x 14"), made from urethane foam strip
- F. Baffle, 19 x 19 x 46 mm (3/4 x 3/4 x 1-13/16"), made from urethane foam strip
- G. Cushion, rubber, two used
- H. Baffle, 13 x 51 x 89 mm (1/2 x 2 x 3-1/2"), two used

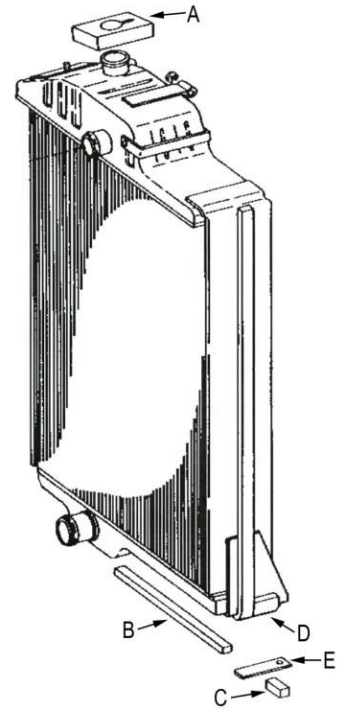


CR91035 [Radiator Cushion Foam Kit]

Instruction Guide

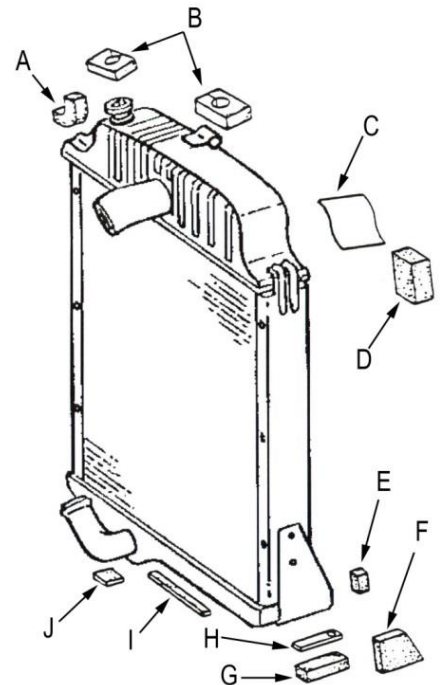
John Deere 4630 Tractors:

- A. Baffle, filler neck, 25 x 79 x 121 mm (1 x 3-1/8 x 4-3/4")
- B. Baffle, 13 x 19 x 356 mm (1/2 x 3/4 x 14"), made from urethane foam strip
- C. Baffle, 19 x 19 x 48 mm (3/4 x 3/4 x 1-7/8"), made from urethane foam strip
- D. Cushion, 13 x 51 x 89 mm (1/2 x 2 x 3-1/2")
- E. Cushion, two used



John Deere 4040 Tractors:

- A. Baffle, filter neck, 25 x 79 x 121 mm (1 x 1 x 5"), made from urethane foam strip
- B. Baffle, filter neck, 25 x 79 x 121 mm (1-1/2 x 2-7/8 x 3")
- C. Cushion, 6 x 102 x 140 mm (1/8 x 4 x 5-1/2"), made from anti-squeaking webbing
- D. Baffle, 38 x 64 x 89 mm (1-1/2 x 2-1/2 x 3-1/2")
- E. Baffle, 13 x 19 x 48 mm (1/2 x 3/4 x 1-7/8"), made from urethane foam strip
- F. Baffle, 13 x 124 x 133 mm (1/2 x 4-57/64 x 5-1/4"), two used, made from urethane foam strip
- G. Baffle, 13 x 25 x 76 mm (1/2 x 1 x 3"), made from urethane foam strip
- H. Cushion, rubber, two used
- I. Baffle, 25 x 25 x 292 mm (1 x 1 x 11-1/2"), made from urethane foam strip
- J. Baffle, 13 x 51 x 89 mm (1/2" x 2" x 3-1/2"), two used

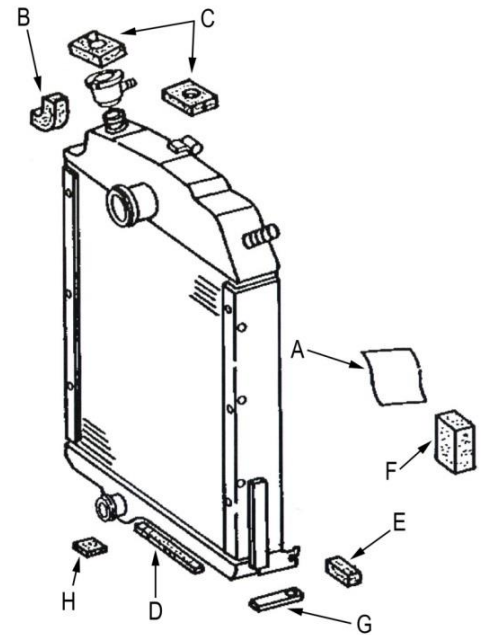


CR91035 [Radiator Cushion Foam Kit]

Instruction Guide

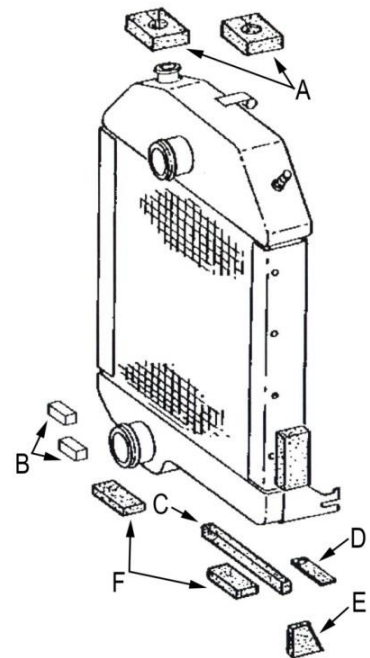
John Deere 4240 Tractors:

- A. Cushion, 3 x 102 x 140 mm (1/8 x 4 x 5-1/2"), two used, made from anti-squeaking webbing
- B. Baffle, filter neck, 25 x 25 x 191 mm (1 x 1 x 7-1/2"), made from urethane foam strip
- C. Baffle, filler neck, 25 x 79 x 121 mm (1 x 3-1/8 x 4-3/4"), two used
- D. Baffle, 25 x 51 x 432 mm (1 x 2 x 17")
- E. Baffle, 19 x 19 x 46 mm (3/4 x 3/4 x 1-13/16"), two used, made from urethane foam strip
- F. Baffle, 8 x 124 x 133 mm (5/16 x 4-57/64 x 5-1/4"), two used, made from urethane foam strip
- G. Cushion, rubber, two used
- H. Baffle, 13 x 51 x 89 mm (1/2 x 2 x 3-1/2"), made from urethane foam strip
- I. Baffle, 13 x 51 x 89 mm (1/2 x 2 x 3-1/2")



John Deere 4440, 4640, & 4840 Tractors:

- A. Baffle, filler neck, 25 x 79 x 121 mm (1 x 3-1/8 x 4-3/4"), two used
- B. Baffle, 19 x 19 x 46 mm (3/4 x 3/4 x 1-13/16"), two used, made from urethane foam strip
- C. Baffle, 13 x 51 x 432 mm (1/2 x 2 x 17")
- D. Cushion, two used
- E. Baffle, 8 x 124 x 133 mm (5/16 x 4-57/64 x 5-1/4"), two used, made from urethane foam strip
- F. Baffle, 13 x 51 x 89 mm (1/2 x 2 x 3-1/2"), two used

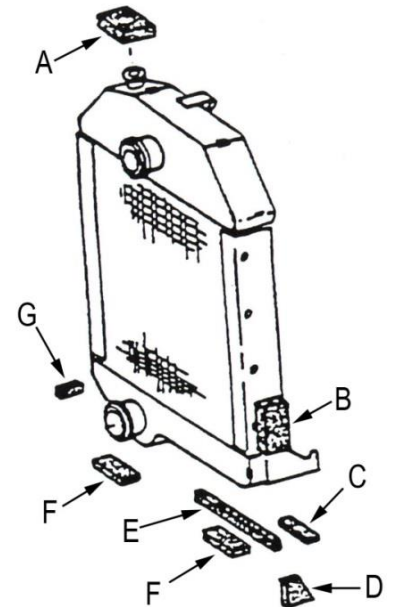


CR91035 [Radiator Cushion Foam Kit]

Instruction Guide

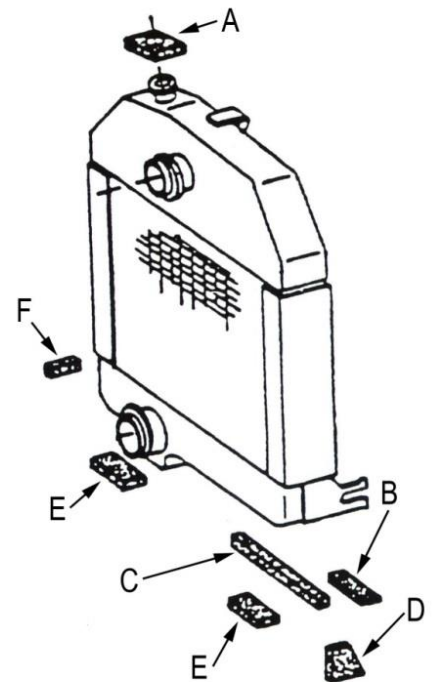
John Deere 4050, 4250, & 4450 Tractors:

- A. Baffle, filler neck, 25 x 79 x 121 mm (1 x 3-1/8 x 4-3/4"), two used
- B. Isolator, radiator lower side, 64 x 31 x 31 mm (2-1/2 x 1-1/4 x 1-1/4"), two used
- C. Cushion, two used
- D. Baffle, 25 x 51 x 432 mm (1 x 2 x 17")
- E. Baffle, 13 x 51 x 89 mm (1/2 x 2 x 3-1/2"), two used
- F. Baffle, 19 x 19 x 46 mm (3/4 x 3/4 x 1-13/16"), two used



John Deere 4650 & 4850 Tractors:

- A. Baffle, filler neck, 25 x 79 x 121 mm (1 x 3-1/8 x 4-3/4")
- B. Cushion, two used
- C. Isolator, 13 x 25 x 206 mm (1/2 x 1 x 8-7/64"), two used
- D. Baffle, 8 x 124 x 133 mm (5/16 x 4-7/8 x 5-1/4"), two used
- E. Baffle, 25 x 37 x 100 mm (1 x 1-1/2 x 4"), four used
- F. Isolator, 19 x 25 x 87 mm (3/4 x 1 x 3-3/8"), two used

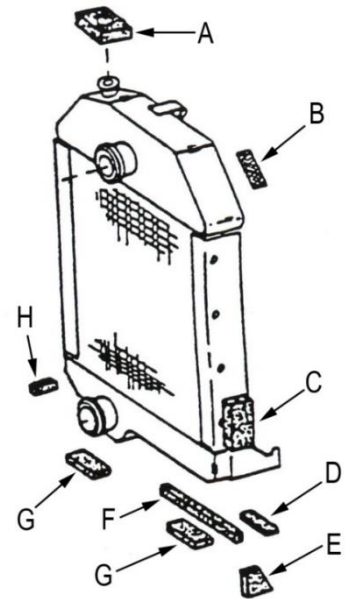


CR91035 [Radiator Cushion Foam Kit]

Instruction Guide

John Deere 4055, 4255, & 4455 Tractors:

- A. Baffle, filler neck, 25 x 79 x 121 mm (1 x 3-1/8 x 4-3/4")
- B. Webbing, 2 x 102 x 127 mm (1/16 x 4 x 5")
- C. Isolator, radiator lower side, 64 x 31 x 31 mm (2-1/2 x 1-1/4 x 1-1/4"), two used, w/o AC
- D. Cushion, rubber, two used
- E. Baffle, 8 x 124 x 133 mm (5/16 x 4-7/8 x 5-1/4"), two used, made from urethane strip
- F. Baffle, 25 x 51 x 432 mm (1 x 2 x 17")
- G. Baffle, 13 x 51 x 89 mm (1/2 x 2 x 3-1/2"), two used
- H. Baffle, 19 x 19 x 46 mm (3/4 x 3/4 x 1-13/16"), four used



John Deere 4550, 4755, 4955, 4560, 4760, & 4960 Tractors:

- A. Baffle, filler neck, 25 x 79 x 121 mm (1 x 2-1/8 x 4-3/4")
- B. Baffle, 15 x 20 x 560 mm (1/2 x 3/4 x 22")
- C. Baffle, 25 x 38 x 120 mm (1 x 1-1/2 x 4"), two used, w/o MFWD
- D. Baffle, 13 x 13 x 111 mm (1/2 x 1/2 x 4-3/8")
- E. Baffle, 64 x 31 x 31 mm (2-1/2 x 1-1/4 x 1-1/4"), two used, w/o AC
- F. Isolator, 76 x 76 x 152 mm (3 x 3 x 6")

